



## AC-M12-15M



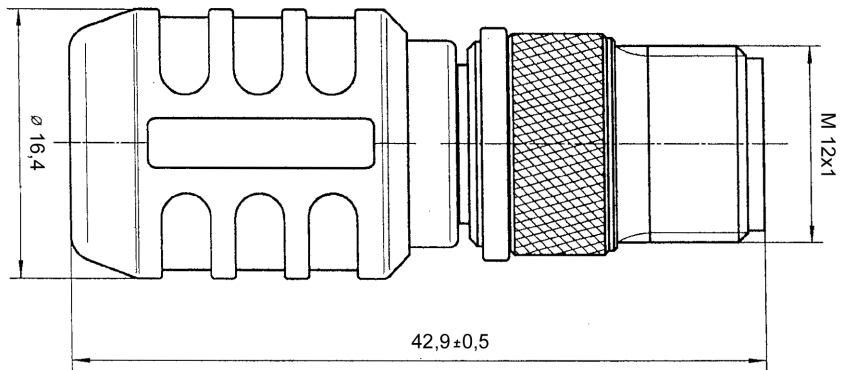
### M12 bridging plug for switching on protective field 1 of safety laser scanner ROTOSCAN RS4/AS-i

Internal connection of PIN 1 and 5 of M12-plug for activation protective field 1 of laser scanner RS4/AS-i with integrated AS-i Interface;



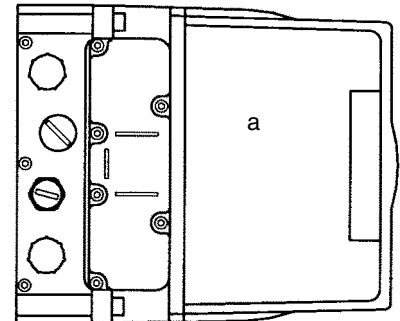
The M12-bridging plug is used only together with the RS4-version with AS-i Interface.

## Dimensional drawings



## Electrical connection

PIN-assignment AC-M12-15M	
Pin 1	SF 1 in
Pin 2	SF 2 --
Pin 3	SF 3 --
Pin 4	SF 4 --
Pin 5	+24V DC out



a = RS4/AS-i

## Order details

Type	Description	Order No.
AC-M12-15M	M12-jumper plug for switching on protective field 1, Pin 1-5 jumpered	580005
RS4-4/A1	ROTOSCAN RS4/AS-i with integrated AS-i interface	580014
RS4-SWC	RS4 start-up set for bus-systems	970078
AC-PDA1/A	AS-i adapter for bus connection and power supply	580004
CB-M12-1000-5G/MF	connecting cable, 1 m, 5-pole, 1:1 plug and coupling	548361
CB-M12-2000-5G/MF	connecting cable, 2 m, 5-pole, 1:1 plug and coupling	548362
CB-PCO-3000	PC-cable RS232 – IR adapter, length 3 m	520072