



MSI-mE/R, MSI-mE/T



Additional information on the MSI-m/R and MSI-m/T safety interfaces

The modular safety interfaces of the MSI family serve as a link between one or more optoelectronic protective devices and the machine controls. The individual versions offer various safety-related additional functions, such as start/restart interlock, EDM (external device monitoring), test monitoring of type 2 sensors, single/double break control, or muting. All these components are obtainable either with relay outputs or with fail-safe pnp semiconductor outputs. The "E" versions are designed for use in operating temperatures up to 60° Celsius. The differences in the technical specifications of the MSI-mE safety interface from the Connecting and Operating Instructions for the standard MSI-m version are described in this datasheet.

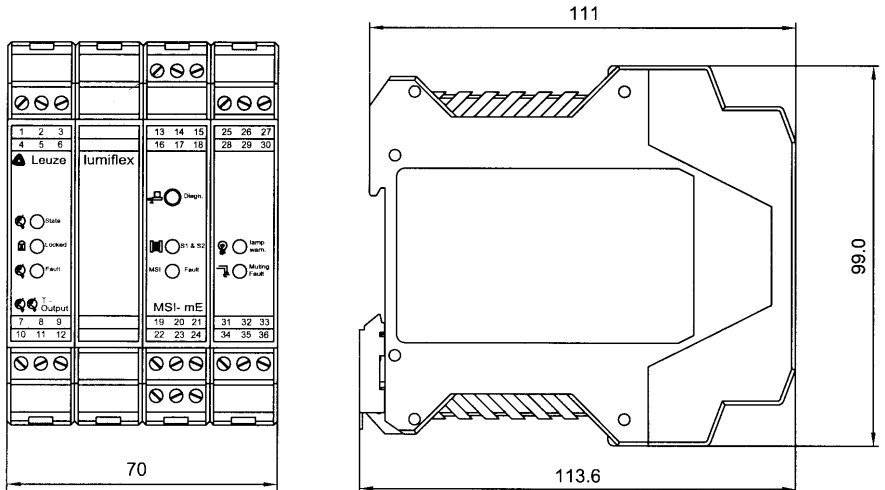


When putting the MSI-mE safety interface into operation, knowledge of the Connecting and Operating Instructions for the MSI-m as well as of the additional information on the MSI-mE is indispensable.

Advantages

- Safety interfaces of type 4, with muting function in accordance with IEC 61496-1, EN 954-1
- 1 AOPD of type 4, or up to 2 AOPDs of type 2 can be connected
- designed for operating temperatures up to 60° Celsius
- UL certified

Dimensional drawings



① The given dimensions apply to MSI-mE/R and MSI-mE/T.

Technical data

Ambient operating temperature	0° ... +60°
Dimensions	See scale drawings for the MSI-mE
Certifications	BIA, UL

① This datasheet includes only the technical specifications which are different from the technical specifications for the MSI-m standard version. Please consult the technical specifications for the standard versions, chapter 6, in the Connecting and Operating Instructions for the MSI-m safety interface.

Electrical connection

See the information on electrical connections, chapter 4, in the Connecting and Operating Instructions for the MSI-m standard version.

Order details

Type		Order No.
MSI-mE/R	Safety interface of type 4, relay output, 60°	549980
MSI-mE/T	Safety interface of type 4, muting, semiconductor output, 60°	549981
MSI-AC 115	115 V AC à 24 V DC/0.6 A power supply, unregulated	549940
MSI-AC 230	230 V AC à 24 V DC/0.6 A power supply, unregulated	549908
MSI-SWC	MSI diagnosis kit	549932

① Standard delivery includes the Connecting and Operating Instructions of the given safety interface in each case, as well as the relevant additional information on the specific MSI-E version (e.g. standard delivery for the MSI-mE/R consists of: MSI-mE/R safety interface, MSI-m/R Connecting and Operating Instructions, datasheet with additional information on the MSI-mE/R).