



## MSI-mxE/Rx.2



### Additional information to the safety interface MSI-mxE/Rx.2 for type 2 sensors

The modular safety interface components of the MSI family serve as connecting links between one or more optoelectronic protective devices and the machine controls. The individual versions offer various safety-related additional functions, such as start/restart interlock, EDM (external device monitoring), test monitoring of type 2 sensors, single break/double break control, or muting. MSI-mxE/Rx.2 contains relay outputs.

The "E" versions are designed for use in operating temperatures up to 60° Celsius.

Please note the following differences from the MSI-mx/Rx Connecting and Operating Instructions:

The differences in the technical specifications of the MSI-mxE safety interfaces from the Connecting and Operating Instructions for the standard MSI-mx version are described in this datasheet.



In the MSI-mxE/Rx.2 special variant the safety input channels are designed to take only AOPD type 2 sensors. The inuts 25, 26, 34, 35 are not used. When putting the Safety interface MSI-mxE/Rx.2 into operation, you should be familiar with the Connecting and Operating Instructions for the MSI-mx, as well as with the datasheet containing additional information for the MSI-mxE/Rx.2

## Advantages of the MSI-mxE/Rx.2 special version

- Safety interface of type 4, with muting function in accordance with IEC-, EN 61496-1, EN 954-1
- 2-8 type 2 AOPDs can be connected.
- designed for operating temperatures up to 60° Celsius
- UL-Certification in preparation

## Technical data for the MSI-mxE/Rx.2 special version

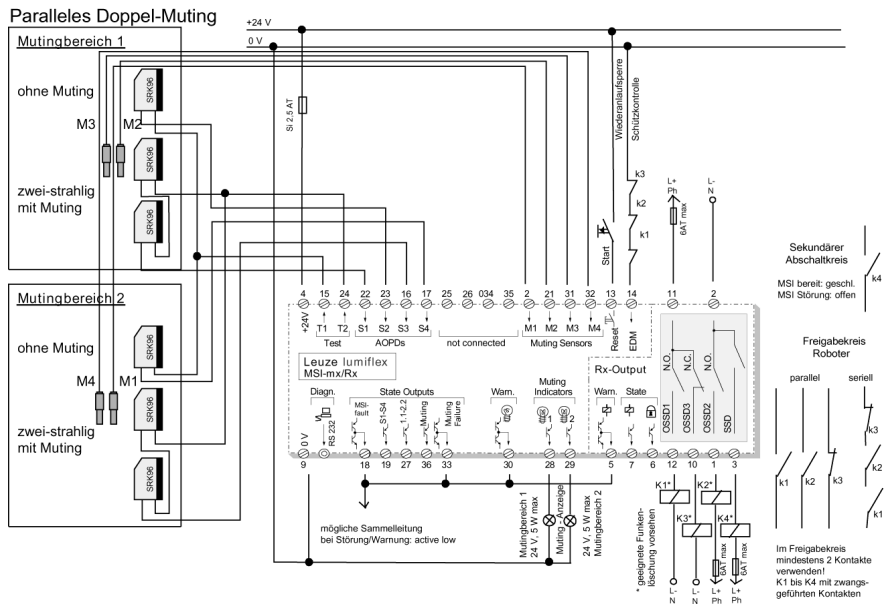
See technical data in the MSI-mx/Rx Connecting and Operating Instructions, page 42	
OSSD* response time of the MSI-mx/Rx.2 (without AOPD)	
AOPD Typ2	64 ms
OSSD* reset time	300 ms
Ambient operating temperature	0° ... +60°
Certifications	BIA, cUL ist beantragt

\*) OSSD: Safety related switching output (Output Signal Switching Device)



This datasheet includes supplementing technical specifications which are different from the technical specifications for the MSI-mx standard version. Please consult the technical specifications for the standard versions, chapter 6, in the Connecting and Operating Instructions for the MSI-mx safety interfaces.

## Electrical Connection



Connection example with MSI-mx/Rx.2 incorporating AOPD SRK96 type 2

## Ordering Information

Type	Order No.
MSI-mxE/Rx.2	549984
MSI-AC 115 (power supply 24 V DC, 0,8 A)	549940
MSI-AC 230 (power supply 24 V DC, 0,8 A)	549908
/Rx output subassembly (replacement part)	590211
MSI diagnostic set MSI-SWC	549932